



Hydraulic Linear Drive

Installation instructions

E12207 Type 2 (12 V)

E12208 Type 2 (24 V)

M81202 Type 3 (12 V)

M81203 Type 3 (24 V)

Raymarine®

Trademarks and registered trademarks

Autohelm, hsb², RayTech Navigator, RayTalk, Sail Pilot, SeaTalk, SeaTalk^{NG}, SeaTalk^{HS} and Sportpilot are registered trademarks of Raymarine UK Limited. Seahawk, Smartpilot, Pathfinder and Raymarine are registered trademarks of Raymarine Holdings Limited.

All other product names are trademarks or registered trademarks of their respective owners.

Fair Use Statement

You may print no more than three copies of this manual for your own use. You may not make any further copies or distribute or use the manual in any other way including without limitation exploiting the manual commercially or giving or selling copies to third parties.

Copyright ©2010 Raymarine UK Ltd. All rights reserved.

ENGLISH

Document number: 81177-5

Date: 05-2010

Contents

Chapter 1 Important information.....	7	Chapter 3 Mounting.....	21
Handbook information.....	7	3.1 Mounting checklist.....	22
Certified Installation.....	7	3.2 Hydraulic ram alignment.....	22
EMC conformance.....	8	3.3 Hydraulic ram mounting.....	24
Technical accuracy.....	9	3.4 Steering system connection.....	24
Product disposal.....	9	3.5 Hydraulic pump mounting.....	26
EMC installation guidelines.....	9	3.6 Reservoir mounting.....	27
Connections to other equipment.....	9	3.7 Filling the reservoir.....	27
Warranty registration.....	10	Chapter 4 Cables and connections.....	29
Installation prerequisites.....	10	4.1 General cabling guidance.....	30
Chapter 2 Planning.....	11	4.2 Clutch connection.....	31
2.1 Installation checklist.....	12	4.3 Course computer connection.....	32
2.2 Drive types.....	12	4.4 Post-installation check.....	34
2.3 Reservoir.....	13	Chapter 5 Maintenance and troubleshooting.....	35
2.4 Product overview.....	13	5.1 Maintenance checks.....	36
2.5 Typical system.....	14	5.2 Bleeding the system.....	36
2.6 Parts supplied.....	15	5.3 Troubleshooting.....	37
2.7 Parts required.....	16	5.4 Raymarine technical support.....	38
2.8 Location and mounting requirements.....	16	Appendix A Technical specification.....	39
2.9 Product differences.....	18		
2.10 Dimensions.....	18		
2.11 Dimensions.....	19		

Chapter 1: Important information

Handbook information

This handbook contains important information regarding the Hydraulic Linear Drives.

The handbook is for use with the following models:

Part number	Type	Voltage
E12207 (replaces M81200)	Type 2	12 V
E12208 (replaces M81201)	Type 2	24 V
M81202	Type 3	12 V
M81203	Type 3	24 V

Additional handbooks

The following handbooks provide additional information relating to the operation of the Hydraulic Linear Drive, and compatible course computers.

Description	Part number
SPX System Installation guide	87072
SPX System Commissioning Instructions	81287
SeaTalk ^{ng} Reference Manual	81300

Certified Installation

Raymarine recommends certified installation by a Raymarine approved installer. A certified installation qualifies for enhanced product warranty benefits. Contact your Raymarine dealer for further details, and refer to the separate warranty document packed with your product.



Warning: Product installation and operation

This product must be installed and operated in accordance with the instructions provided. Failure to do so could result in personal injury, damage to your boat and/or poor product performance.



Warning: Switch off power supply

Ensure the boat's power supply is switched OFF before starting to install this product. Do NOT connect or disconnect equipment with the power switched on, unless instructed in this document.



Warning: Entrapment hazard

This product features moving parts that provide a potential entrapment hazard. Keep clear of moving parts at all times.



Warning: Do NOT flash test

Do NOT perform an electrical flash test on this product.



Warning: Hydraulic fluid

Important safety information:

- **Eyes** — Fluid is unlikely to cause eye irritation but the use of eye protection is advised. If fluid comes into contact with eyes, rinse with copious amounts of water.
- **Skin** — Fluid is unlikely to cause immediate irritation, but prolonged and repeated contact may be harmful to the skin. The use of nitrile gloves is recommended. If skin is exposed to fluid wash the contaminated skin thoroughly with soap and water.
- **Ingestion** — Unlikely to cause adverse systemic health effects. If ingested DO NOT INDUCE VOMITING, and seek medical attention.
- **Inhalation** — Remove the affected person to fresh air. If recovery is not rapid obtain medical attention.



Warning: Ensure safe navigation

This product is intended only as an aid to navigation and must never be used in preference to sound navigational judgment. Only official government charts and notices to mariners contain all the current information needed for safe navigation, and the captain is responsible for their prudent use. It is the user's responsibility to use official government charts, notices to mariners, caution and proper navigational skill when operating this or any other Raymarine product.

Caution: Ensure cleanliness

Absolute cleanliness is essential when working with hydraulic systems. Even the smallest dirt particle could prevent the steering system check valves from working correctly.

Caution: Structural strength

During operation the Hydraulic Linear Drive produces a considerable amount of force. You **MUST** mount the Hydraulic ram to a very solid structure (for example, a substantial frame member of your vessel). Both the structure and the tiller arm or rudder quadrant **MUST** be capable of withstanding the peak levels of thrust stated in the Technical Specification in this document. In some cases it may be necessary to build a specially strengthened frame to mount the drive unit. Consult the steering gear manufacturer if you have any doubt about the strength of the tiller arm or rudder quadrant.

Caution: Avoid damage to hydraulic ram

Any damage to the hydraulic ram will damage the seals and allow air into the unit, reducing performance and potentially causing oil leaks.

EMC conformance

Raymarine equipment and accessories conform to the appropriate Electromagnetic Compatibility (EMC) regulations for use in the recreational marine environment.

Correct installation is required to ensure that EMC performance is not compromised.

Technical accuracy

To the best of our knowledge, the information in this document was correct at the time it was produced. However, Raymarine cannot accept liability for any inaccuracies or omissions it may contain. In addition, our policy of continuous product improvement may change specifications without notice. As a result, Raymarine cannot accept liability for any differences between the product and this document.

Product disposal

Dispose of this product in accordance with the WEEE Directive.



■ The Waste Electrical and Electronic Equipment (WEEE) Directive requires the recycling of waste electrical and electronic equipment. Whilst the WEEE Directive does not apply to some Raymarine products, we support its policy and ask you to be aware of how to dispose of this product.

EMC installation guidelines

Raymarine equipment and accessories conform to the appropriate Electromagnetic Compatibility (EMC) regulations, to minimize electromagnetic interference between equipment and minimize the effect such interference could have on the performance of your system

Correct installation is required to ensure that EMC performance is not compromised.

Important information

For **optimum** EMC performance we recommend that wherever possible:

- Raymarine equipment and cables connected to it are:
 - At least 1 m (3 ft) from any equipment transmitting or cables carrying radio signals e.g. VHF radios, cables and antennas. In the case of SSB radios, the distance should be increased to 7 ft (2 m).
 - More than 2 m (7 ft) from the path of a radar beam. A radar beam can normally be assumed to spread 20 degrees above and below the radiating element.
- The product is supplied from a separate battery from that used for engine start. This is important to prevent erratic behavior and data loss which can occur if the engine start does not have a separate battery.
- Raymarine specified cables are used.
- Cables are not cut or extended, unless doing so is detailed in the installation manual.

Note: Where constraints on the installation prevent any of the above recommendations, always ensure the maximum possible separation between different items of electrical equipment, to provide the best conditions for EMC performance throughout the installation

Connections to other equipment

Requirement for ferrites on non-Raymarine cables

If your Raymarine equipment is to be connected to other equipment using a cable not supplied by Raymarine, a suppression ferrite **MUST** always be attached to the cable near the Raymarine unit.

Warranty registration

To register your Hydraulic Linear Drive ownership, please take a few minutes to fill out the warranty registration card found in the box, or visit www.raymarine.com and register on-line.

It is important that you register your product to receive full warranty benefits. Your unit package includes a bar code label indicating the serial number of the unit. You should stick this label to the warranty registration card.

Installation prerequisites

Before installing this product you must adhere to the installation prerequisites.

The hydraulic ram drives the rudder directly from the tiller arm or rudder quadrant. Before installing this drive unit, check that the vessel's steering system can be backdriven from the rudder.

Chapter 2: Planning

Chapter contents

- [2.1 Installation checklist on page 12](#)
- [2.2 Drive types on page 12](#)
- [2.3 Reservoir on page 13](#)
- [2.4 Product overview on page 13](#)
- [2.5 Typical system on page 14](#)
- [2.6 Parts supplied on page 15](#)
- [2.7 Parts required on page 16](#)
- [2.8 Location and mounting requirements on page 16](#)
- [2.9 Product differences on page 18](#)
- [2.10 Dimensions on page 18](#)
- [2.11 Dimensions on page 19](#)

2.1 Installation checklist

Installation includes the following activities:

Installation Task	
1	Plan your installation.
2	Obtain all required equipment and tools.
3	Mount the system components.
4	Route all cables.
5	Drill cable and mounting holes.
6	Make all connections to equipment.
7	Secure all equipment in place.
8	Complete the post-installation check.

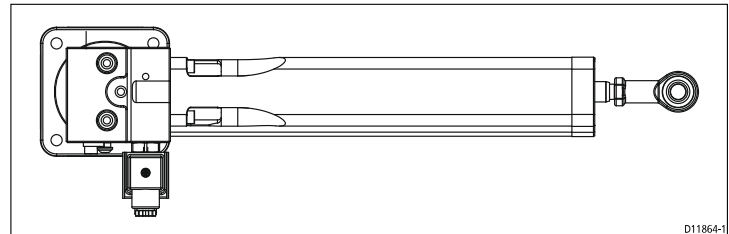
2.2 Drive types

There are 2 drive types. Each drive type has 2 variants (one for 12 V systems, one for 24 V systems).

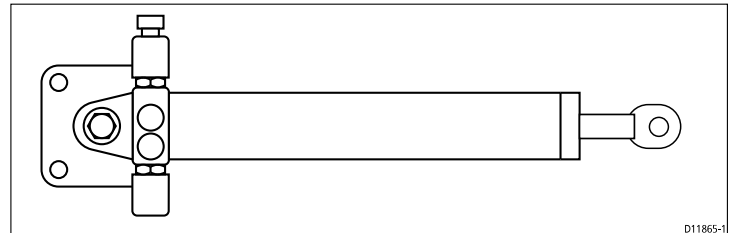
Although the core functionality of each drive type is essentially the same, the form factor of some of the components differs as follows:

Hydraulic ram

Type 2 drive:

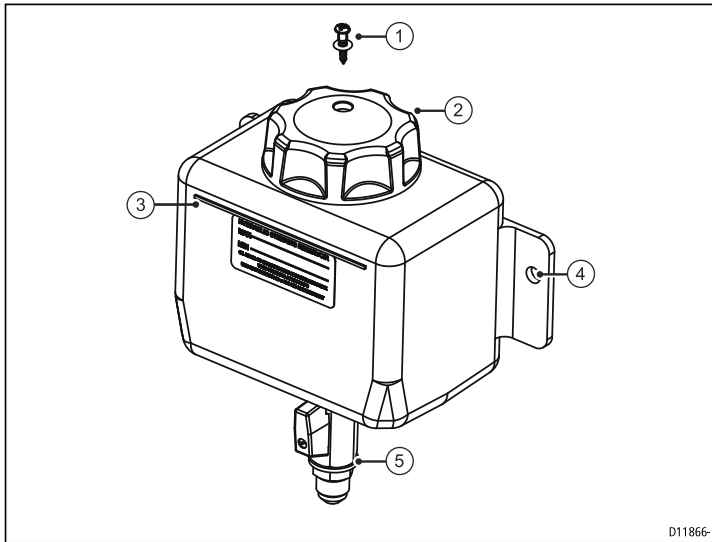


Type 3 drive:



Note: The drawings included in this handbook are for illustration purposes only. The exact shape of your system components may differ from those shown.

2.3 Reservoir



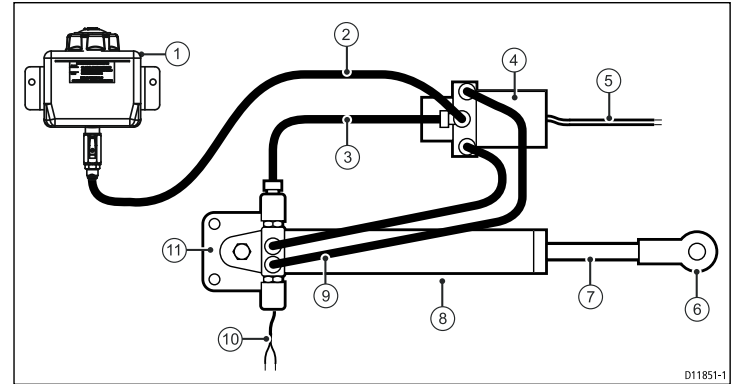
1. **Transit screw** — must be removed from the cap before use.
2. **Screw cap** — seal must be removed from cap before use.
3. **Fill level** — reservoir must be filled between the minimum and maximum levels.
4. **Mounting hole** — for securing the reservoir to a suitable part of your vessel.
5. **Tap** — controls the flow of hydraulic fluid to the pump.

2.4 Product overview

The Hydraulic Linear Drive is intended to operate a vessel's steering mechanism as part of a Raymarine autopilot system.

The Hydraulic Linear Drive is designed for vessels with existing mechanical steering systems, NOT hydraulic steering systems. It is mounted below decks and moves the rudder directly by pushing the tiller arm or rudder quadrant.

The Hydraulic Linear Drive provides a totally isolated autopilot steering system consisting of:

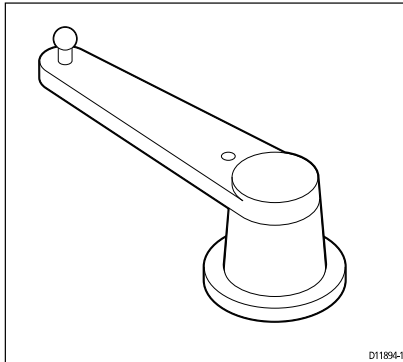


1. **Hydraulic fluid reservoir** — supplies hydraulic fluid to the system.
2. **Reservoir pipe** — transports the hydraulic fluid from the reservoir to the pump.
3. **Ram pipe** — low-pressure line between the pump and the hydraulic ram.
4. **Reversing hydraulic pump** — powers the hydraulic arm.
5. **Motor cables** — for connecting the pump to a course computer.
6. **Rod end** — connects the hydraulic ram to your vessel's tiller or rudder quadrant.

7. **Push rod** — extends out of the hydraulic ram casing to control the tiller arm or rudder quadrant.
8. **Hydraulic ram** — a self-contained autopilot steering cylinder with a load-limiting system and built-in clutch.
9. **Pump pipes** — high-pressure lines between the pump and the hydraulic ram.
10. **Clutch cable** — for connecting the hydraulic ram's clutch to the course computer clutch connections. The clutch allows friction-free steering when the autopilot is not in use.
11. **Mounting foot** — for mounting the hydraulic ram to a suitable part of your vessel.

Rudder reference option

The course computer is supplied with a rudder reference sensor, which provides enhanced performance for autopilot systems.

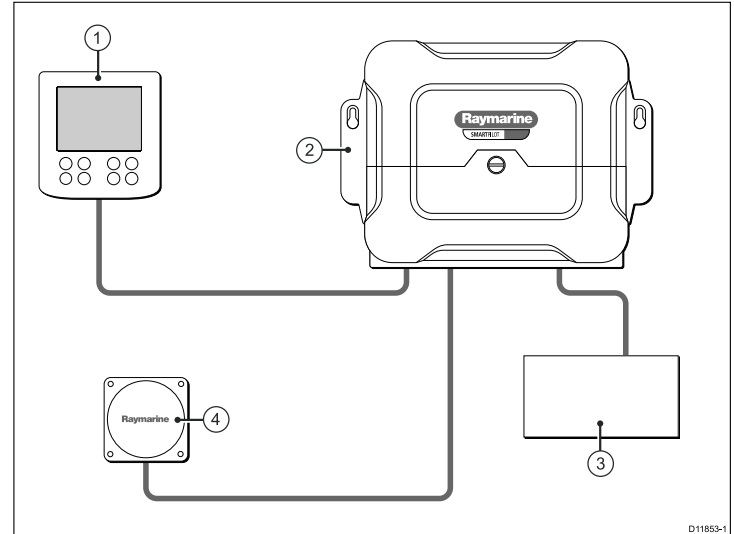


For information on installing and connecting the rudder reference option refer to the instructions that accompany the course computer.

2.5 Typical system

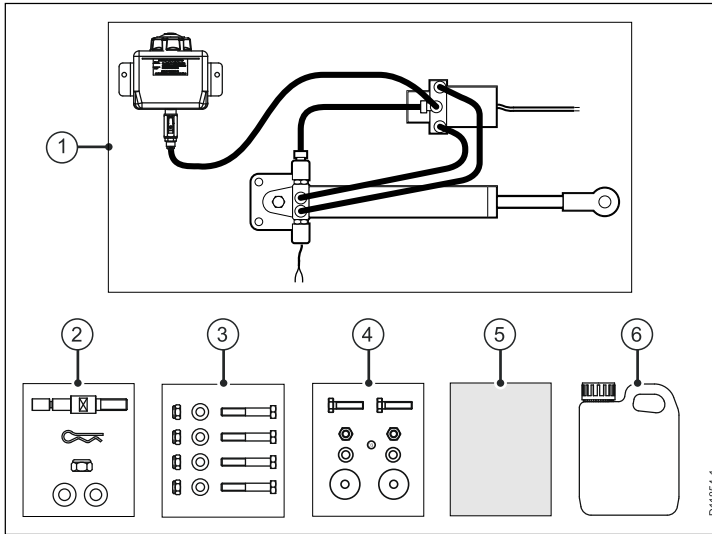
The drive components connect to a course computer as part of an autopilot system.

The following diagram illustrates a typical SPX-30 autopilot system:



1. Autopilot controller.
2. SPX course computer.
3. Drive unit.
4. Fluxgate compass.

2.6 Parts supplied



1. Hydraulic Linear Drive components, consisting of:

- Hydraulic fluid reservoir.
- Pump.
- Hydraulic ram.

2. Tiller pin assembly, consisting of:

- Tiller pin.
- R-clip.
- Lock nut.
- Washer (quantity: 2).

3. Hydraulic ram mounting screw pack, consisting of:

- Bolts (quantity: 4)
- Washers (quantity: 4).
- Lock nuts (quantity: 4).

4. Pump mounting screw pack, consisting of:

- Bolts (quantity: 2)
- Washers (quantity: 2).
- Lock nuts (quantity: 2).

5. Installation instructions.

6. Hydraulic fluid transit container.

2.7 Parts required

Additional parts required, NOT supplied with the product.

The following additional parts are required for the installation of the Hydraulic Linear Drive:

- Suitable bolts and associated nuts and washers for securing the reservoir to a suitable part of your vessel. Quantity required: 2.
- Suitable bolts and associated nuts and washers for securing the pump to a suitable part of your vessel. Quantity required: 2.
- Suitable cable and electrical connectors for connecting and extending the motor and clutch cables.

2.8 Location and mounting requirements

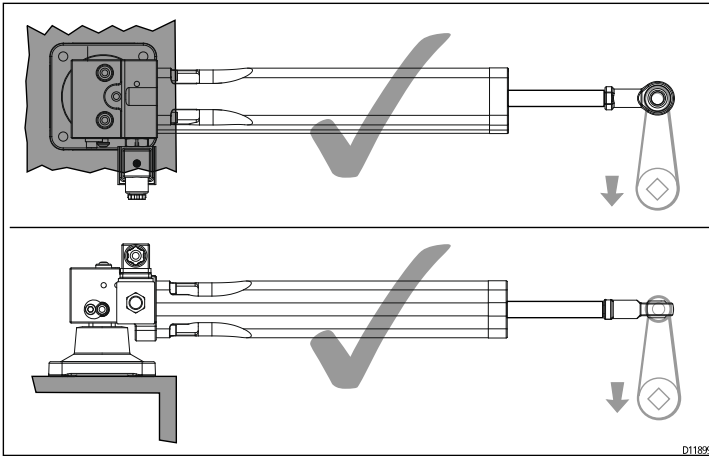
Hydraulic ram

Location and mounting requirements:

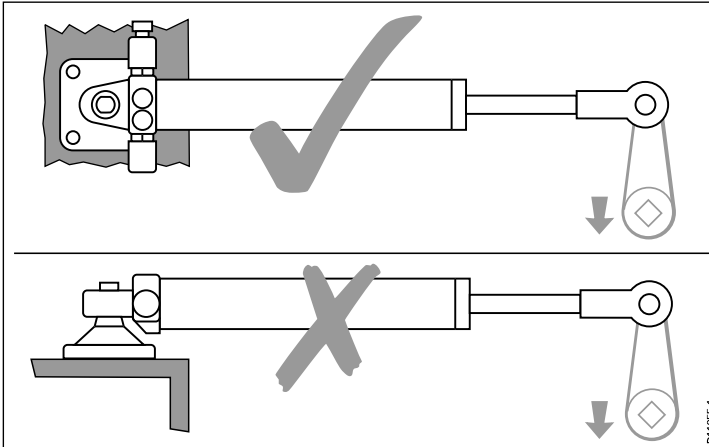
- MUST be mounted on a very solid structure (for example, a substantial frame member of your vessel). The drive produces a considerable amount of force, so you MUST ensure that both the structure and your tiller arm or rudder quadrant can cope with the peak levels of thrust stated in the Technical Specification in this document. In some cases it may be necessary to build a specially strengthened frame to mount the drive unit. Consult the steering gear manufacturer if you have any doubt about the strength of the tiller arm or rudder quadrant.
- The Type 2 drive may be mounted horizontally or vertically.
- The Type 3 drive MUST be mounted horizontally with its mounting foot on a horizontal surface. The swivel joint does NOT have sufficient movement to position the foot vertically.
- The hydraulic ram must NOT foul any part of the vessel's structure or quadrant throughout its entire range of movement.
- MUST be mounted in a location allowing sufficient clearance for the mounting pin to be removed if required.
- MUST be mounted with sufficient clearance at the rear of the ram unit for the hydraulic pipes. You must allow at least 17 cm (6.7 in) clearance at the rear of the unit for the extruding pipes.
- MUST be fitted in a dry area, free of bilge water (the ram is NOT waterproof).
- MUST be accessible for future servicing.
- The supplied M8 bolts and washers are suitable for mounting the hydraulic ram to a surface between 1.2 cm (0.47 in) and 2.4 cm (0.94 in) thick. Larger bolts and washers are required for a thicker surface.

The following diagrams illustrate the correct drive orientation, showing a view from above with the arrow indicating the aft direction:

Type 2:



Type 3:



Hydraulic pump

Location and mounting requirements:

- MUST be mounted on a solid structure to avoid vibration that could damage the hydraulic pipes.
- MUST be mounted on a dry horizontal surface, clear of spray water and possible immersion.
- Excessive temperature, vibration and fumes in the atmosphere can drastically reduce motor brush life.
- MUST be mounted level to or above the hydraulic ram, to prevent air from collecting in the ram.
- MUST be accessible for future servicing.

Reservoir

Location and mounting requirements:

- MUST be mounted vertically, ideally to a bulkhead.
- MUST be mounted at least 150 mm (6 in) ABOVE the hydraulic pump and hydraulic ram, to ensure a good supply of fluid to the system.
- MUST be accessible for hydraulic fluid top-ups and refills.
- Raymarine recommends the use of M8 bolts and suitable nuts and washers to secure the reservoir to the vessel.

Pipes

The pipes transport fluid and pressure around the Hydraulic Linear Drive system. The system is supplied pre-plumbed, pre-filled, and pre-bled, with just the reservoir empty. However you must observe the following when handling and positioning the pipes:

- Do NOT allow acute bends in the pipes. The minimum bend radius for the pipes is 7.6 cm (3 in).
- Pipes must NOT touch any part of the vessel.
- Ensure there are no kinks in the pipes.
- Ensure pipes are not cut or chaffed.

2.9 Product differences

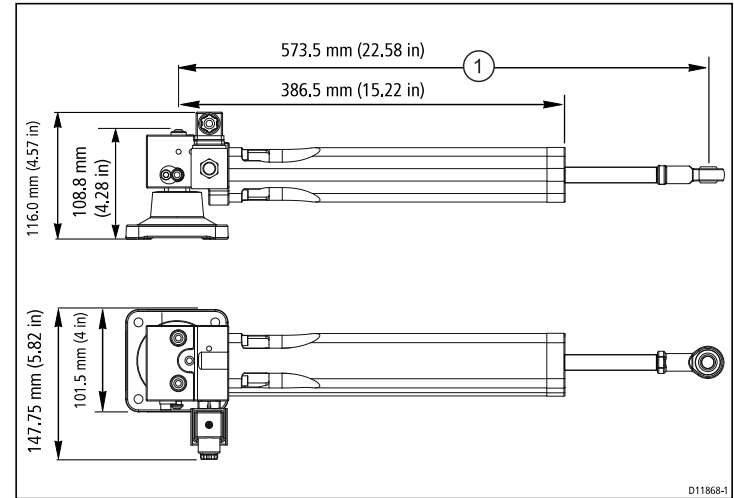
Factors to consider when replacing an existing Type 2 drive (M81200, M81201) with a new Type 2 drive (E12207, E12208).

There are a number of important differences between the 2 drives:

- The existing Type 2 hydraulic ram (M81200, M81201) has a 5 degree tolerance of movement in the vertical plane. The new Type 2 hydraulic ram (E12207, E12208) has a 10 degree tolerance.
- For the existing Type 2 drive (M81200, M81201) the pipes that transported the hydraulic fluid to the ram unit were connected to the top of the unit. For the NEW Type 2 drive (E12207, E12208), the pipes connect to the rear of the unit. You must allow at least 17 cm (6.7 in) clearance at the rear of the unit for the extruding pipes. The minimum bend radius for the pipes is 7.6 cm (3 in).
- The new drive (E12207, E12208) can be mounted horizontally or vertically.
- The hydraulic fluid reservoir supplied with the new drive (E12207, E12208) is a different size and shape.

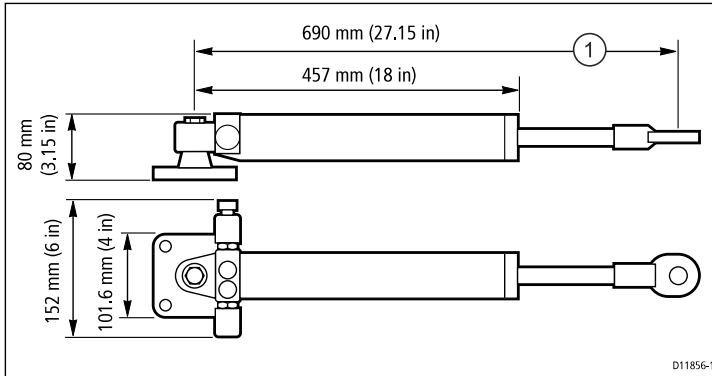
2.10 Dimensions

Type 2 drive



1. Hydraulic ram at mid stroke position.

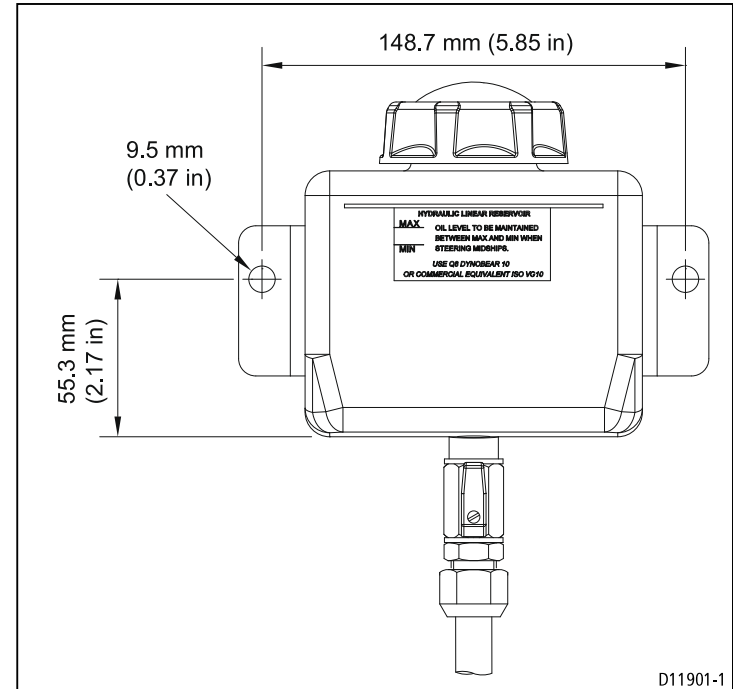
Type 3 drive



1. Hydraulic ram at mid stroke position.

2.11 Dimensions

Reservoir dimensions.



Chapter 3: Mounting

Chapter contents

- 3.1 Mounting checklist on page 22
- 3.2 Hydraulic ram alignment on page 22
- 3.3 Hydraulic ram mounting on page 24
- 3.4 Steering system connection on page 24
- 3.5 Hydraulic pump mounting on page 26
- 3.6 Reservoir mounting on page 27
- 3.7 Filling the reservoir on page 27

3.1 Mounting checklist

Mounting the Hydraulic Linear Drive system involves the following tasks:

Mounting Task	
1	Ensure you have read and understood the 2.8 Location and mounting requirements .
2	Align the hydraulic ram.
3	Secure the hydraulic ram to your vessel.
4	Connect the hydraulic ram to the vessel's steering system.
5	Perform a steering check to ensure the hydraulic ram is mounted correctly.
6	Mount the hydraulic pump.
7	Mount the reservoir.
8	Fill the reservoir with hydraulic fluid.

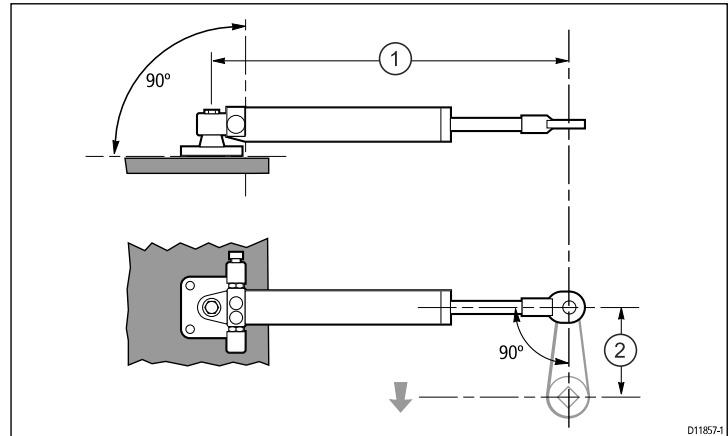
3.2 Hydraulic ram alignment

When mounting the hydraulic ram ensure it is correctly aligned.

Hydraulic ram

- The hydraulic ram must be at right angles to the mounting surface.
- The hydraulic ram must be in the mid stroke position and at right angles to the tiller arm when the rudder is at midships.

The following diagram illustrates correct alignment of the hydraulic ram. The hydraulic ram in the top half of the diagram shows the view from astern. The bottom half of the diagram shows the view from above. The grey arrow indicates the aft direction.



1. Hydraulic ram at the mid stroke position.
2. Tiller arm radius, as follows:
 - **Type 2:** 180 mm (7.1 in).
 - **Type 3:** 267 mm (10.5 in).

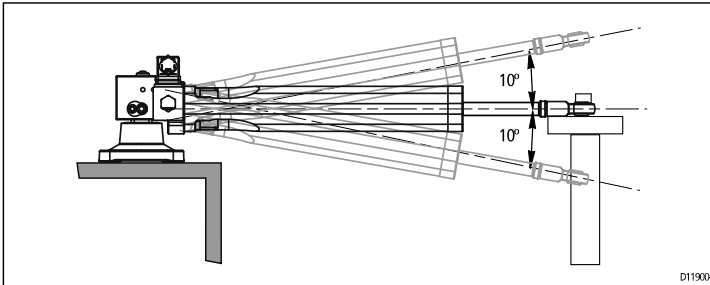
Push rod and tiller arm

The push rod must be accurately aligned with the tiller arm plane of rotation. The ball end fitting only allows the following degrees of misalignment between the push rod and tiller arm plane of rotation:

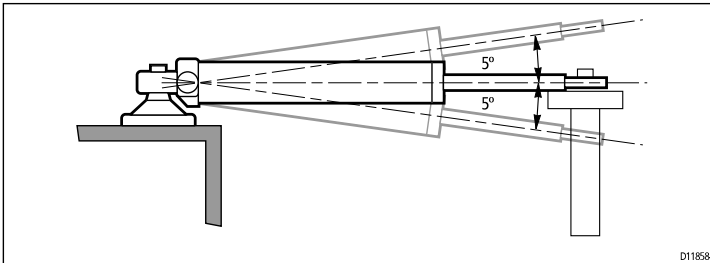
- Type 2 drive: 10 degrees.
- Type 3 drive: 5 degrees.

The following diagrams illustrate the degree limit for each type of drive. The diagrams show a view from astern.

Type 2:



Type 3:



Note: Accurate angular alignment of the hydraulic ram is extremely important. You must NOT exceed the specified degree alignment limits under any circumstances.

3.3 Hydraulic ram mounting

Mount the hydraulic ram as securely as possible to ensure it performs reliably and remains correctly aligned.

- Before mounting the hydraulic ram, refer to the guidance provided in the [2.8 Location and mounting requirements](#) section.
- Drill 4 holes for the mounting foot (each hole must be 8.8 mm (0.34 in) diameter).
- Attach the mounting foot to the appropriate part of your vessel using the supplied bolts, washers, and nuts.
- Tighten the bolts to 17 Nm (12.5 lb ft) torque.

3.4 Steering system connection

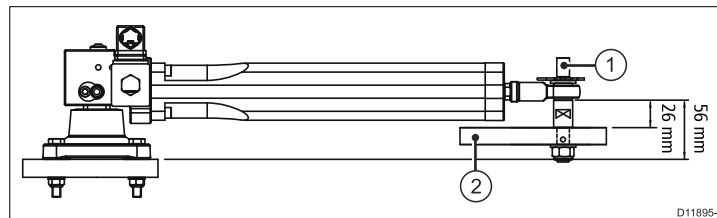
The rod end of the hydraulic ram must be connected to the vessel's tiller arm or rudder quadrant.

Before connecting the hydraulic ram to the steering system, ensure that your vessel's tiller arm or rudder quadrant can cope with the peak thrust stated in the Technical Specification.

Use one of the following methods to attach the push rod to the rudder stock:

- **Independent tiller arm** — this is the recommended method.
- **Steering linkage tiller arm or rudder quadrant** — in some cases, you may be able to attach the push rod to the same tiller arm or rudder quadrant used by the main steering linkage. Consult the steering manufacturer before you modify the rudder quadrant.

The following diagram illustrates the connection:



1. Tiller pin.
2. Tiller arm or rudder quadrant.

Attaching the rod end

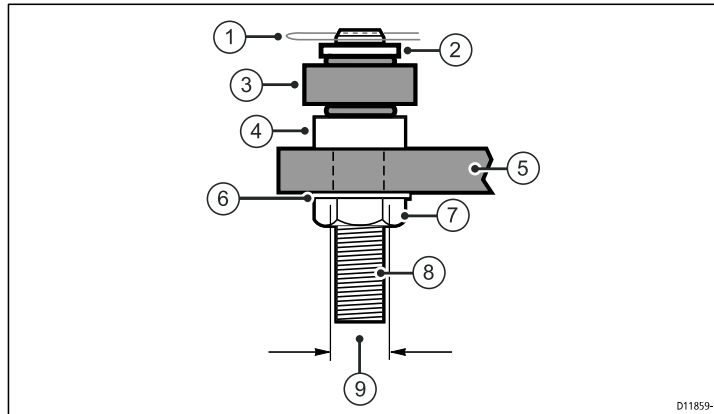
Note: The supplied tiller pin is suitable for a quadrant thickness of 12 mm (0.47 in) to 16 mm (0.63 in).

1. Attach the tiller pin to the tiller arm, as shown in the diagram below:

- i. Insert the tiller pin through the tiller arm hole so that the flange remains above the arm.
 - ii. Ensure the tiller pin is a tight fit in the tiller arm. Raymarine recommends the use of a suitable adhesive around the tiller pin.
 - iii. Use the supplied lock washer and fully tighten the lock nut to 27 Nm (20 lb ft).
2. Attach the rod end to the tiller pin, as shown in the diagram below:
- i. Place the rod end on to the tiller pin.
 - ii. Secure with the supplied washer and R-clip.

7. Lock nut.
8. Tiller pin.
9. Hole diameter, as follows:
 - **Type 2:** 12.2 mm (0.48 in).
 - **Type 3:** 20 mm (0.78 in).

Note: It may be necessary to drill a hole in the tiller arm. The hole must be of the diameter specified above.



D11859-1

1. R-clip.
2. Washer.
3. Rod end.
4. Flange.
5. Tiller arm.
6. Lock washer.

Steering check

Once the hydraulic ram is mounted you must perform a steering check to ensure the ram has been mounted correctly.

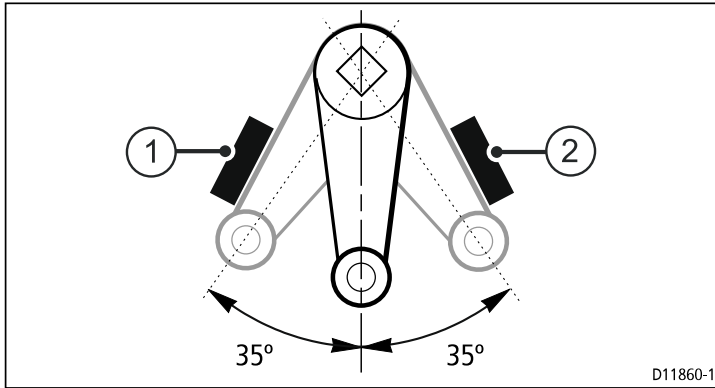
Turn your vessel's steering wheel from hardover to hardover and check the following:

- Angular movement of the ball end fitting is less than 10 degrees for the Type 2 drive, or 5 degrees for the Type 3 drive. If this limit is exceeded the drive will catch on the tiller arm or rudder quadrant and the ball joint will bind.
- Ensure no part of the drive unit fouls your vessel's structure when the push rod moves in and out.
- Ensure that the total rudder movement is limited to +/- 35 degrees by the steering system end stops, rather than the linear drive's end limits.

3.5 Hydraulic pump mounting

The hydraulic pump must be mounted in a suitable location to ensure reliable performance.

- Before mounting the hydraulic pump, refer to the guidance provided in the [2.8 Location and mounting requirements](#) section.
- Drill 2 mounting holes.
- Secure the pump to the appropriate part of your vessel using suitable stainless steel bolts, washers and lock nuts.
- Fully tighten the nuts to minimize vibration.



1. Steering system end stop: -35 degrees.
2. Steering system end stop: $+35$ degrees.

Caution: Total rudder movement

Ensure that the rudder movement is limited by the steering end stops before the push rod reaches its end stop. Failure to do this could damage the drive and will invalidate the warranty.

3.6 Reservoir mounting

The reservoir must be mounted on a bulkhead as far above the pump and hydraulic ram as possible.

- Before mounting the reservoir, refer to the guidance provided in the [2.8 Location and mounting requirements](#) section.
- Secure the reservoir to the appropriate part of your vessel, using the mounting holes provided. Use suitable stainless steel bolts, washers and lock nuts.

3.7 Filling the reservoir

The hydraulic fluid reservoir is supplied empty and must be filled to the correct level with the supplied hydraulic fluid.

Do NOT attempt to move or operate the hydraulic push rod before completing the following steps:

1. The reservoir is fitted with a special cap featuring a breather hole, which is sealed for transit purposes. Remove the transit screw and seal from the cap to open the breather. Retain the screw and seal for future use.
2. Fill the reservoir with the supplied hydraulic fluid to a level between the minimum and maximum indicator lines.
3. Turn the tap to the “ON” position (tap should be pointing upward).

Chapter 4: Cables and connections

Chapter contents

- [4.1 General cabling guidance on page 30](#)
- [4.2 Clutch connection on page 31](#)
- [4.3 Course computer connection on page 32](#)
- [4.4 Post-installation check on page 34](#)

4.1 General cabling guidance

Cable types and length

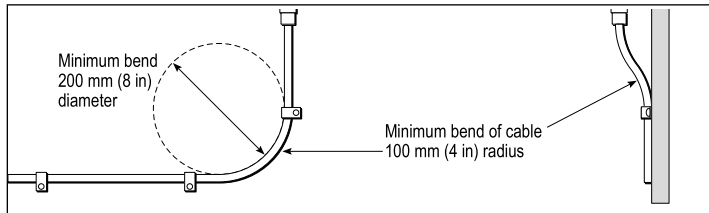
It is important to use cables of the appropriate type and length

- Unless otherwise stated use only standard cables of the correct type, supplied by Raymarine.
- Ensure that any non-Raymarine cables are of the correct quality and gauge. For example, longer power cable runs may require larger wire gauges to minimize voltage drop along the run.

Routing cables

Cables must be routed correctly, to maximize performance and prolong cable life.

- Do NOT bend cables excessively. Wherever possible, ensure a minimum bend radius of 100 mm.



- Protect all cables from physical damage and exposure to heat. Use trunking or conduit where possible. Do NOT run cables through bilges or doorways, or close to moving or hot objects.
- Secure cables in place using tie-wraps or lacing twine. Coil any extra cable and tie it out of the way.
- Where a cable passes through an exposed bulkhead or deckhead, use a suitable watertight feed-through.
- Do NOT run cables near to engines or fluorescent lights.

Always route data cables as far away as possible from:

- other equipment and cables,
- high current carrying ac and dc power lines,
- antennae.

Strain relief

Ensure adequate strain relief is provided. Protect connectors from strain and ensure they will not pull out under extreme sea conditions.

Cable shielding

Ensure that all data cables are properly shielded that the cable shielding is intact (e.g. hasn't been scraped off by being squeezed through a tight area).



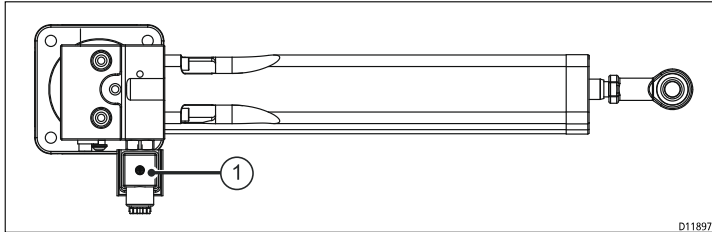
Warning: Ensure correct voltage

Do NOT connect a 24 V pump to a course computer that only supports 12 V. For course computers that support both 12 V and 24 V ensure that the correct voltage is selected for the clutch terminal.

4.2 Clutch connection

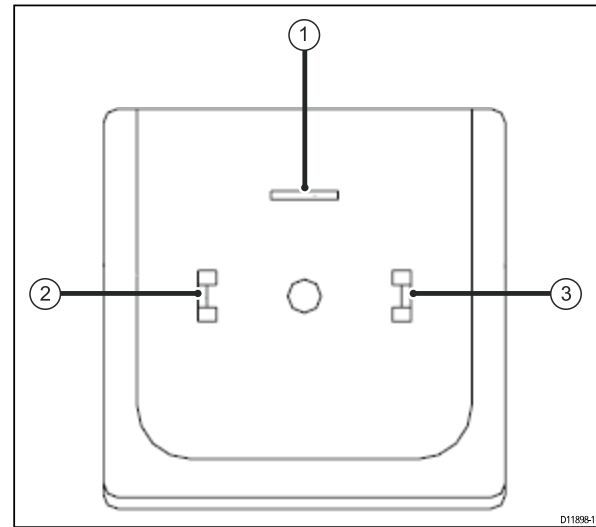
The clutch (bypass valve) on the hydraulic ram unit must be connected to the clutch terminals on the course computer, and a suitable ground.

The clutch is used to bypass the hydraulic ram and operate the steering system manually when there is a problem with the autopilot system. The clutch is located at the rear of the hydraulic ram unit:



1. The item labelled “1” in the diagram above is the clutch.

To connect the clutch and ground cables you must remove the clutch housing, using a suitable screwdriver. The clutch housing contains the 3 terminals for the clutch and ground connections:

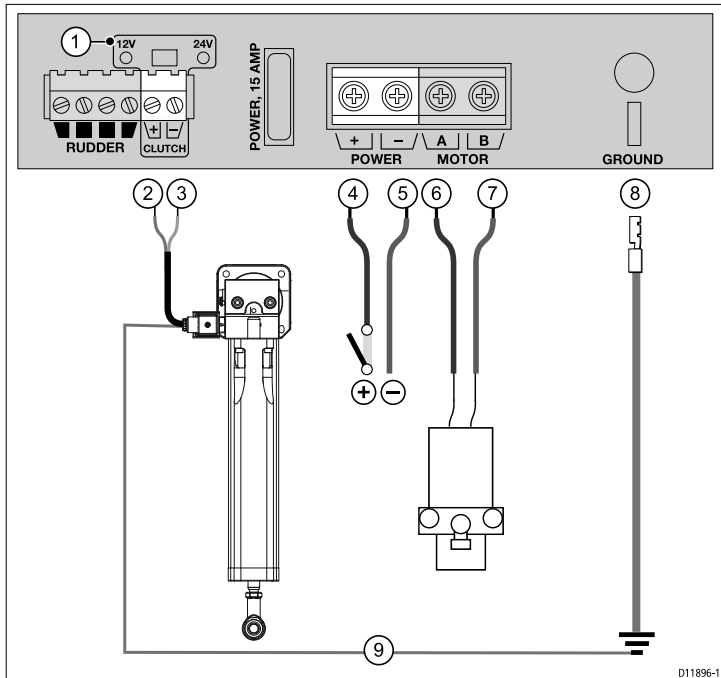


Item	Description	Suitable cable
1	Ground connection	Minimum 4 mm ² (12 AWG) copper cable.
2	Pin 1: POSITIVE	Minimum 1.5 mm ² (16 AWG) copper cable.
3	Pin 2: NEGATIVE	Minimum 1.5 mm ² (16 AWG) copper cable.

Once the cables have been connected re-assemble the clutch housing and secure the screw using 0.5 Nm (0.37 lb ft) torque.

4.3 Course computer connection

The Hydraulic Linear Drive must be connected to an SPX-30 course computer.



Item	Hydraulic Linear Drive	Course computer	Description
1		Clutch voltage selector switch	Adjust the voltage setting to match the voltage rating specified on the Hydraulic ram clutch.
2	Hydraulic ram clutch (+)	Clutch (+)	Connect the POSITIVE terminal of the hydraulic ram's clutch to the course computer's POSITIVE clutch terminal.
3	Hydraulic ram clutch (-)	Clutch (-)	Connect the NEGATIVE terminal of the hydraulic ram's clutch to the course computer's NEGATIVE clutch terminal.
4		Power input (+)	Connect to POSITIVE terminal of power supply (for example, via distribution panel).
5		Power input (-)	Connect to NEGATIVE terminal of power supply (for example, via distribution panel).
6	Pump motor (+)	Motor (+)	Connect the POSITIVE terminal of the pump to the course computer's MOTOR A terminal.
7	Pump motor (-)	Motor (-)	Connect the NEGATIVE terminal of the pump to the course computer's MOTOR B terminal.
8		Ground connection	Connect to a dedicated earthing plate in contact with the water, or to the negative pole of the battery.
9	Hydraulic ram ground connection		Connect to the same earth as the course computer.

Note: For complete connection and installation instructions for the course computer refer to the documentation that accompanies the unit.

Use suitable electrical connectors or junction boxes to connect the Hydraulic Linear Drive cables to the cable extensions.

Note: Do NOT untwist the pump cables or remove the suppression ferrite.

Cable extensions

You may need to extend the Hydraulic Linear Drive cables.

- **Clutch cable (from hydraulic ram to course computer clutch connection)** — use minimum 1.5 mm² (16 AWG) copper cable.
- **Motor cable (from Hydraulic pump to course computer motor connection)** — use the following table to determine the correct cable gauge required:

Drive type	Cable length	Cable gauge (AWG)	Cable gauge (mm ²)
Type 2 (12 V)	Up to 5 m (16 ft)	10	6
	Up to 7 m (23 ft)	8	10
	Up to 16 m (52 ft)	6	16
Type 2 (24 V)	Up to 3 m (10 ft)	12	4
	Up to 5 m (16 ft)	10	6
	Up to 10 m (32 ft)	8	10
	Up to 16 m (52 ft)	6	16
Type 3 (12 V)	Up to 5 m (16 ft)	8	10
	Up to 7 m (23 ft)	6	16
	Up to 16 m (52 ft)	4	25
Type 3 (24 V)	Up to 5 m (16 ft)	10	6
	Up to 7 m (23 ft)	8	10
	Up to 16 m (52 ft)	6	16

4.4 Post-installation check

Check the following points after installing the drive and connecting the course computer:

Check	
1	Ensure that the hydraulic ram's mounting foot is well-secured to a substantial part of the vessel.
2	Ensure that the hydraulic ram is correctly aligned: <ul style="list-style-type: none">• Mounting foot correctly orientated.• Drive mounted at right angles to tiller arm in a mid-stroke position when rudder is in a midship position.• Push rod accurately aligned with tiller arm plane of rotation (deviation less than 10 degrees for Type 2 drives, or 5 degrees for Type 3 drives).
3	Ensure that the hydraulic ram rod end is: <ul style="list-style-type: none">• Securely attached to the tiller arm or rudder quadrant.• Attached at the recommended tiller arm radius for the vessel.
4	Ensure that the motor and clutch cables are correctly routed and securely connected to the course computer.
5	Ensure that all hydraulic pipes are securely connected with no leaks.
6	Ensure that the reservoir is filled with hydraulic fluid to the correct level.
7	Ensure that the transit screw and seal have been removed from the reservoir cap. Ensure that the cap is fitted securely to the reservoir.
8	Ensure that the reservoir tap is in the "ON" position.

Check	
9	Ensure that you've completed the hand-steering check (see Steering check).
10	Ensure the course computer's clutch switch is in the correct position (refer to 4.3 Course computer connection).

Once you've completed the checks listed above you should perform an autopilot steering check, to ensure that the autopilot control head, course computer and drive unit are connected and communicating correctly. Refer to the handbook that accompanies your course computer.

Chapter 5: Maintenance and troubleshooting

Chapter contents

- [5.1 Maintenance checks on page 36](#)
- [5.2 Bleeding the system on page 36](#)
- [5.3 Troubleshooting on page 37](#)
- [5.4 Raymarine technical support on page 38](#)

5.1 Maintenance checks

Regular maintenance is required to ensure optimum operation.

Regular checks

- Check all mountings are secure, especially the hydraulic ram mounting foot.
- Check the tiller pin is securely connected to rod end and tiller arm or rudder quadrant.
- Check hydraulic ram alignment, as described in this handbook.
- Check all pipes for any signs of wear or damage.
- Check all cables and electrical connections for any signs of wear or damage.
- Lubricate the rod end. Use only a good quality marine grease that is compatible with nitrile seals.

Annual checks

- Check the hydraulic fluid level. The fluid in the reservoir should be between the “minimum” and “maximum” levels indicated on the reservoir. Top-up the fluid if necessary, using a suitable oil as detailed in [Appendix A Technical specification](#).
- Check the Hydraulic Linear Drive system for external oil loss, which may indicate that the system needs bleeding.

5.2 Bleeding the system

Note: Raymarine recommends that bleeding the system is undertaken by an authorized Raymarine dealer.

Before commencing ensure the oil and any storage containers are clean and free of contamination.

1. Ensure the reservoir tap is in the “ON” position.
2. Push the hydraulic rod in so that it is fully retracted.
3. Fill the reservoir and slacken the pipes connected to the hydraulic ram unit. Do NOT disconnect the pipes.
4. Re-tighten the pipes once the oil emerges from the fittings.
5. Run the pump in order to direct flow to the hydraulic cylinder ports.
6. Energise the cylinder solenoid and slowly pull the hydraulic rod out until it is fully extended. Observe the oil level in the reservoir and top up if necessary, using the oil recommended in [Appendix A Technical specification](#) .
The oil level will rise when the rod is retracted and may overflow.
7. Fully retract the rod, again observing the oil level in the reservoir and topping up as needed. Repeat until no more air can be seen to be rising into the reservoir and the pump takes over. De-energise the solenoid.
8. To complete the bleeding, energise the cylinder solenoid again and run the pump in both directions to extend and retract the hydraulic rod. Note that the cylinder may need manually assisting at first to purge any remaining air in the system.
9. Top up the reservoir if necessary to the level indicated.

5.3 Troubleshooting

Potential problems with the Hydraulic Linear Drive system and possible causes and solutions are described here.

Problem	Possible causes	Possible solutions
Motor does not run.	The motor has no power supply.	Check all electrical connections.
	The motor is not receiving instructions from the course computer.	Check the connection between the autopilot control head and the course computer, and between the course computer and the pump.
	The motor brushes are worn.	Check motor brushes. If necessary contact your dealer for replacement brushes.
Motor runs, but erratic or no hydraulic rod movement.	The clutch in the hydraulic ram unit is not working correctly.	Check for clutch operation.
	Excessive air in the hydraulic ram unit.	Check for air in the hydraulic ram unit. External oil loss may indicate this. The system may need bleeding.
	Drive coupling.	Contact your dealer and ask them to check the motor drive coupling. The dealer should ensure that the coupling is in place and aligned with the motor drive tang.
Excessive pump noise.	Motor may be damaged or faulty.	Check the motor for damage.
	Excessive air in the hydraulic ram unit.	Check for air in the hydraulic ram unit. External oil loss may indicate this. The system may need bleeding.
	Drive coupling.	Contact your dealer and ask them to check the motor drive coupling. The dealer should ensure that the coupling is in place and aligned with the motor drive tang.

Note: Under no circumstances dismantle the unit unless it is certain that the fault is internal. Doing so will allow air into the cylinder, requiring the unit to be bled.

5.4 Raymarine technical support

Raymarine provides a comprehensive customer support service, on the world wide web, through our worldwide dealer network and by telephone help line. If you are unable to resolve a problem, please use any of these facilities to obtain additional help.

Web support

Please visit the customer support area of our website at:

www.raymarine.com

This contains Frequently Asked Questions, servicing information, e-mail access to the Raymarine Technical Support Department and details of worldwide Raymarine agents.

Telephone support

In the USA call:

+1 603 881 5200 extension 2444

In the UK, Europe, the Middle East, or Far East call:

+44 (0)23 9271 4713

Product information

If you need to request service, please have the following information to hand:

- Product name.
- Product identity.
- Serial number.
- Software application version.

You can obtain this product information using the menus within your product.

Appendix A Technical specification

Specification (at nominal voltage)	Type 2	Type 3
Maximum vessel displacement	22000 kg (48500 lb)	35000 kg (77000 lb)
Peak thrust	675 kg (1488 lb)	1000 kg (2200 lb)
Maximum stroke	254 mm (10 in)	300 mm (12 in)
Hardover to hardover time (+/- 35 degrees, no load)	10 seconds	12 seconds
Maximum rudder torque	1270 Nm (11300 lb in)	2565 Nm (23100 lb in)
Conformance (applies to Type 2 and Type 3)	<ul style="list-style-type: none"> • EN60945:2002 (EMC) <ul style="list-style-type: none"> – 2004/108/EC (EMC Directive) • EN28846:1993 (Ignition Protection) <ul style="list-style-type: none"> – 94/25/EC (RCD) 	
Hydraulic fluid	Mineral based hydraulic oil: <ul style="list-style-type: none"> • minimum ISO VG10 • maximum ISO VG40 	

Raymarine[®]

www.raymarine.com

CE